

STAIRS

Combine FENIX stage platforms with the new modular stairs and adjustable folding stairs.

MODULAR STAIR



Aluminium modular stair from 1 to 4 steps for a stage height from 40 to 100cm. Connectors included.

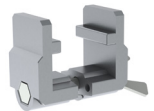









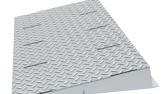
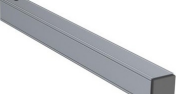



References	Steps	Height (cm)
EF-40	1	40
EF-60	2	60
EF-80	3	80
EF-100	4	100

ADJUSTABLE FOLDING STAIR



Steel adjustable folding stair with aluminium safety handrails for stages of 4 or 6 steps. Two handrails and connectors included.

References	Steps	Height (cm)
EP-70130	4	70-130
EP-90180	6	90-180

ACCESSORIES		
SU-MT	SUR-MT	
	*Two SU-MT connectors included with each stage platform	
SU-PF	SUE-PF	BIPF
		
CE-PF	CER-PF	
	*Included in telescopic legs. Optional for fix legs.	
TTF-120	TTF-180	
		
BAT-100	BAT-200	BAE-100
		
RAD-100	PFE	
		
FTL	FTP-50	FTP-80
		

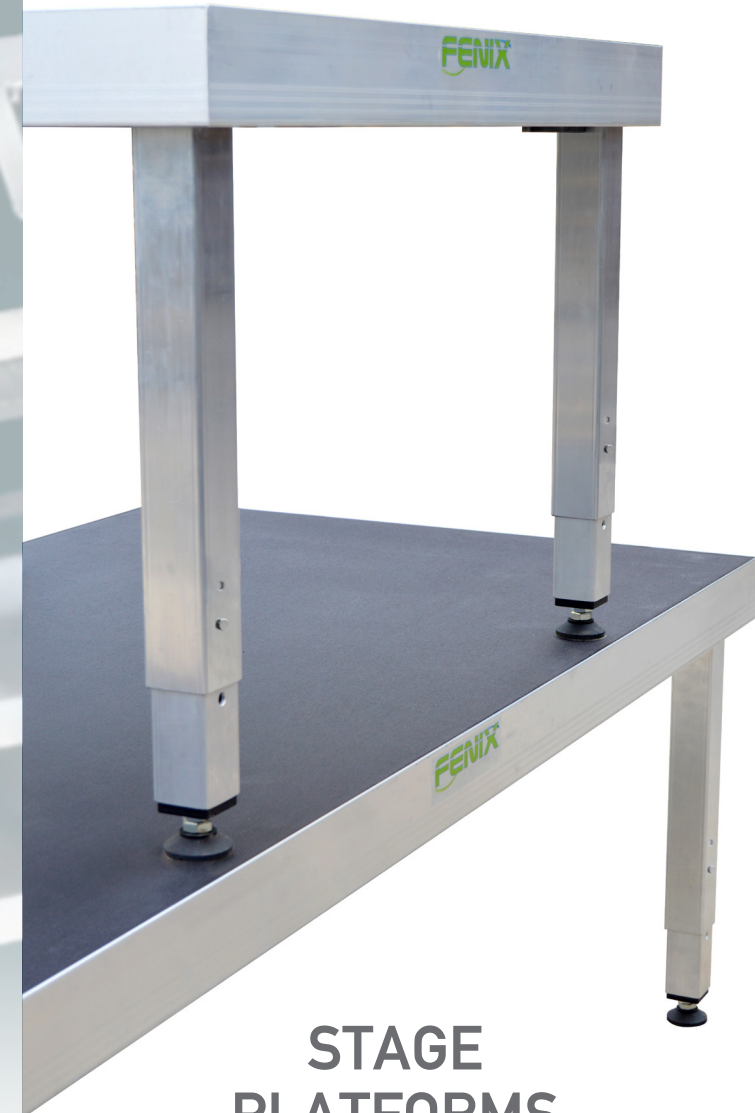
FENIX

FENIX STAGE, S.L.
www.fenixstage.com

Avda. de los Trabajadores, 24 - Horno de Alcedo
46026 - Valencia (Spain). Tel: +34 96 125 08 55
export@fenixstage.com



FENIX



STAGE PLATFORMS

STAGE PLATFORMS

Maximum security, resistance and stability!

1x1m aluminium stage platform (ref. MT-2) with fix or telescopic legs, available from 20 to 200cm. Two **SU-MT** connectors included.



2x1m aluminium stage platform (ref. MT-4) with fix or telescopic legs, available from 20 to 200cm. Two **SU-MT** connectors included.



SU-MT

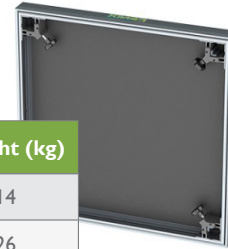


TECHNICAL SPECIFICATIONS

Materials	Panel: 21mm phenolic plywood, with non-slip engraving and sealed edges Frame: Aluminum alloy 6005-T6 Legs: Aluminum alloy 6082-T6
Use	Weatherproof and water-repellent
Maximum load	1.000kg/m ² uniformly distributed

FRAME AND PANELS

References	Dimensions (m)	Weight (kg)
MT-1	1x0,50	14
MT-2	1x1	26
MT-3	2x0,50	26
MT-4	2x1	44



The **aluminium frame** has an internal rail for M12 screws that allows placing reinforcement straps, handrails, stairs, etc. In addition, it has another threaded rail in the bottom where skirts, advertising banners and others can be installed with M6 screws. This frame leaves the outer parts of the platform smooth, without rails, with a small grooved that avoids slipping between platforms when joining them.



SU-MT frame to frame connector is manufactured in zamak which provides high resistance and durability. Besides, this connecting system allows the stage platforms to stay better leveled due to the rail-grip in both sides. Every stage platform includes two SU-MT systems.

LEGS

TELESCOPIC LEG



Squared telescopic legs. 60x3mm outer leg, 53,2x3,1mm inner leg. Adjustable with a safety pin and a reinforced polyamide stabilizer.

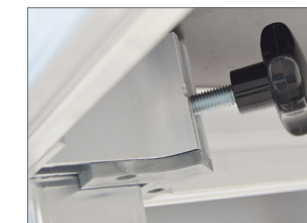
References	Height (cm)	References	Height (cm)
PT-2025	20-25	PT-70120	70-120
PT-2530	25-30	PT-80140	80-140
PT-3040	30-40	PT-95160	95-160
PT-4060	40-60	PT-110180	110-180
PT-5080	50-80	PT-120200	120-200
PT-60100	60-100		

FIX LEG



53,2x3,1mm squared fix legs.

References	Height (cm)	References	Height (cm)
PF-20	20	PF-120	120
PF-40	40	PF-140	140
PF-60	60	PF-160	160
PF-80	80	PF-180	180
PF-100	100	PF-200	200



Aluminium reinforced corner for squared or circular legs secured with two M12 screws. Simply place the legs in the compartment and tighten them through the star knob.